

A photograph of a car being washed in an automatic car wash. The car is dark-colored and is positioned in the center of the frame. The car wash structure is white with blue accents and features glowing red vertical lights. The background shows a large window on the left side of the car wash bay. The overall scene is brightly lit, with a clean and modern aesthetic.

KONDOR FLIGHT

High-Flying Looks. Superior Performance.

The touchless in-bay automatic
that fits every bay and budget.

KONDOR FLIGHT

Kondor® Flight Touchless In-Bay Automatic — Lets Every Bay Soar

Let your in-bay automatic performance and profits soar higher with the Kondor® Flight from Belanger! The Kondor Flight features a modern bright and sleek look for unprecedented curb appeal and reliable, cost-effective operation that will produce reliably clean vehicles for drivers, and rapid and sustained return on investment for wash owners and operators.

Whether installed into a new or existing bays, the Kondor Flight touchless automatic delivers an unmatched wash experience – and can now be outfitted with additional revenue-generating options including the OverGlow Hi-Gloss Application System, that drapes the vehicle in a thick, eye-catching sheet of wax solution while bright LED lights create a wash “show” unlike any other.



Choose the Kondor Flight and Trim Level That Meets Your Needs

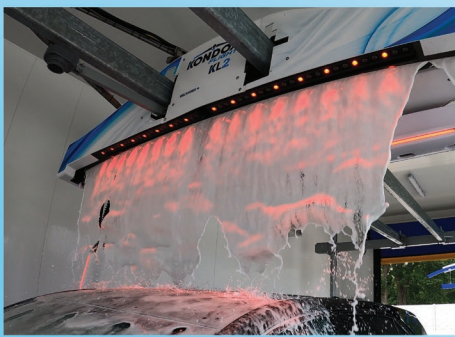
The Kondor Flight is available in two wash configurations:

- The KL1 (1-Arm) offers the smoothest one-arm operation in the industry
- The KL2 (2-Arm) further increases navigational certainty and allows simultaneous chemical application and rinsing

The Kondor Flight is available in three distinctive Trim Levels – with multiple branding and color options, the design combinations are limitless. Each offering also has its own unique look and features, meaning that – based on your bay, your budget, and your business – there is a Kondor Flight model that can meet your exact needs.



Patented LED Navigation System — **GREEN**, **BLUE**, and **RED** lights on the wash arm(s) and overhead manifold(s), visually communicate to your customers when to pull forward, back up, or stop for the wash – which enables faster loading and increased throughput.



Capture Extra Revenue With OverGlow — Add the customer favorite revenue-generating OverGlow Hi-Gloss Application System, that appealingly drapes the vehicle in a thick, eye-catching wax solution while bright LED lights create a wash “show” unlike any other.



Increase Appeal with Compelling Branding Options — Make the Kondor Flight your own with customizable overhead carriage graphics, which are perfect for site branding, messaging, and enhanced brand awareness.

The Kondor Flight is Designed to Clean and Keep Cleaning

The Kondor Flight is designed to clean – and built to keep cleaning. That’s why every Kondor Flight includes essential solution delivery injectors, including two presoaks and a wax application. Other application options include Triple Foam, OverGlow Hi-Gloss Application, Spot-Free Rinse, additional waxes, and bug spray. The galvanized travel rails and proven VFD driven 25HP motor with CAT 3535 pump also help ensure extended service life and a fast ROI.



Plus, the Kondor Flight can wash large dually trucks, which increases any wash site’s customer base.

Every Kondor Flight also features a standard stainless-steel carriage frame and fasteners for a corrosion-free and secure wash environment. The smartly designed overhead carriage head creates an inviting and clear bay to boost driver comfort and confidence. The system’s narrow overhead rails form an “inverted runway” that helps drivers position their vehicles properly while the Auto-Resetting Breakaway Arms quickly reset themselves into the correct position, should an accidentle vehicle-strike occur – for the superior reliability.

Lighting the Way for More Customers and Greater Revenue

The Kondor Flight’s patented Active Site Marketing® option features LED-enhanced carriage covers and upper and lower wash manifolds that cycle through six colors. This enhanced lighting attracts drivers off the street and onto your site – and brings them back again.

Also available are color-changing DryLite dryers that turn the wash exit into a 24/7 beacon to promote your business, reach more customers and deliver an unprecedented end-to-end wash experience.



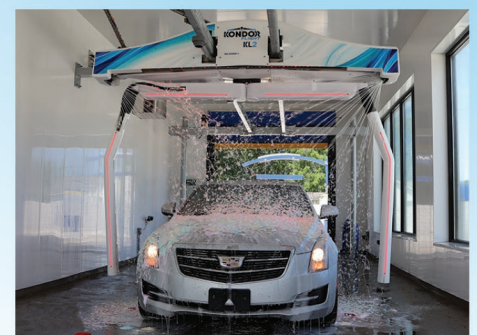
Maximum Uptime —

The Kondor Flight’s standard Auto Resetting Breakaway Arms reset themselves without the need for manual intervention, which increases uptime while saving labor time, costs, and frustration. If a vehicle strike occurs, the Kondor Flight arms give way and automatically begin the reset process, which decreases the risk of vehicle damage.



Total Control —

The Kondor Flight offers remote-access capabilities, including adjustable wash speeds, customizable menu packages, resettable faults, diagnostics, and email notifications. With remote access, anything that can be done from an operator console can be done from a PC or mobile device.



Flexible Programming —

Configure eight customizable wash packages with integrated VFD controls to fine-tune every movement and pass – optimizing performance for your market while maximizing revenue and customer satisfaction.

Kondor Flight Base Unit Includes:

- Stainless Steel Carriage Frame
- Wash Activation Photo Eyes
- VFD (Variable Frequency Drive) Motor Control Panel
- System Control Panel w/Manual Function Activation
- “VPS” Virtual Positioning System w/Photo Eyes
- Wall Mounted Silver Powder Coated Frame
- Drive System with Solid Rollers & Greased-For-Life Bearings
- High-Pressure Pumping Station 25HP w/CAT 3535 Pump
- Single-Tank Pumping Station w/Valves & Controls
- Deluxe Overhead Boom Assembly w/Wall Pivot
- Programmable Spray Arm(s) For Protectant
- 25’-1” Galvanized Travel Rails (Washes 21’-9” Vehicles)
- Dual Pre-Soak Injectors for Two Step Washing
- Single Wax Injector (Clear Coating or Drying Agent – Non-Foaming)
- Omnidirectional Break-Away Spray Arm(s) w/Auto-Resetting Knuckle(s)
- Enhanced T7A Color Touch Screen HMI
- Automatic Fault Notification System (Static IP Required)
- Remote System Access Via Computer or Mobile (Static IP Required)
- Three Each - Entrance & Exit Functions for Programming Flexibility
- HVO (High Vehicle Output) Enhanced Control Software
- E-Stop Button

Kondor Flight Optional Items:

- Illuminated Wash Arm Manifolds
- Undercarriage Blaster
- Chemical Tire Applicator
- DuraBlaster (Tires & Rockers)
- Bug Spray Manifold
- Triple Foam
- OverGlow Hi-Gloss
- Sealer Wax
- DuraShiner Tire Shiner
- Drying Agent
- DryLite Dryers
- AirCannon Dryers
- Custom Branded Decals
- Payment Terminals
- Loyalty Programs
- In-Bay Pkg Confirmation Signs
- Dryer Countdown Signs
- Digital HD Menu Board Signs
- PLUS Marketing Support Services

Kondor Flight Base Unit Specifications:

NOTE: Equipment dimension specifications do not take into consideration any obstructions, unusual wash bay configurations, etc.
**Consult your Sales Representative for shorter bays.

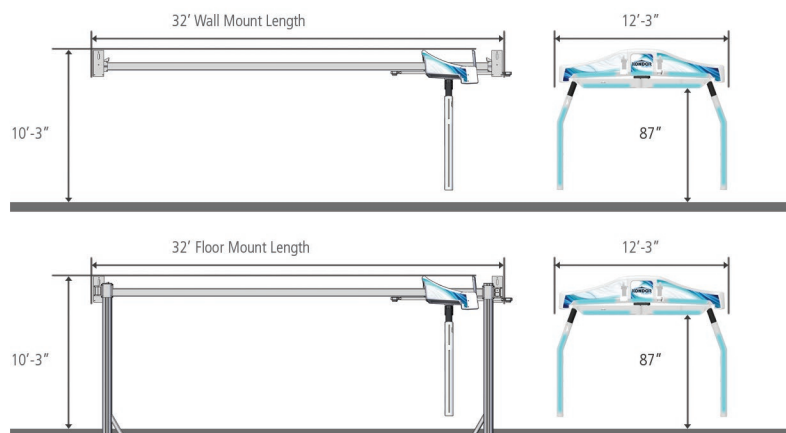
BUILDING REQUIREMENTS

Height	Wall Mount	10’-3” Minimum
	Floor Mount	10’-3” Minimum
Width	Wall Mount	12’-3” Min to 19’-0” Max* *With optional longer Head Beam
	Floor Mount	12’-3” Minimum
Length	Wall Mount	32’ (full length rails)**
	Floor Mount	32’ (full length rails)**

UTILITY REQUIREMENTS

Air	1.5 SCFM @ 100 PSI
Water	36 GPM @ 40 PSI
Electrical	<u>208 VAC Locations:</u>
	<ul style="list-style-type: none"> • MCC – 100 Amp @ 208 VAC, 3-Phase • SCC – 15 Amp @ 120 VAC, 1-Phase
Electrical	<u>575 VAC Locations:</u>
	<ul style="list-style-type: none"> • MCC – 50 Amp @ 600 VAC, 3-Phase • SCC – 15 Amp @ 120 VAC, 1-Phase

©2026 Belanger Inc. Belanger, Inc. reserves the right to revise features or designs, and change or discontinue models at any time without notice or obligation.



Belanger: 31840 Enterprise Drive, Bldg 5, Livonia, MI 48150 USA
belangerinc.com | 248-349-7010